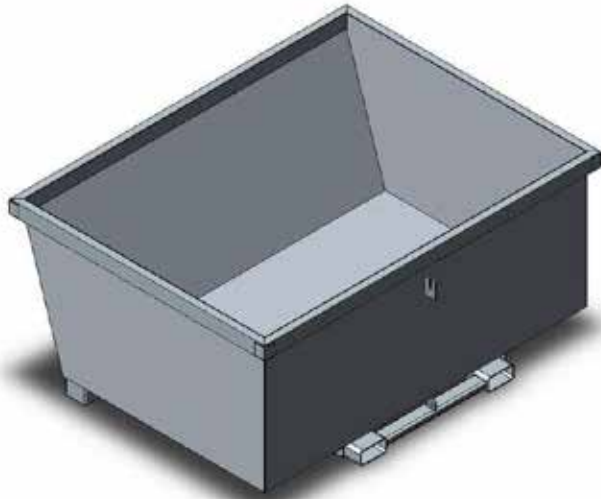


Type JSD Heavy Duty Self Dumping Bin

The type JSD Heavy Duty Self Dumping Bin has been designed with bulk capacity for heavy waste. Although the standard volumes are 3.2, 4.3 & 5.4 cubic metres, larger sizes are available on request. Made from 5mm plate with channel reinforcement around the bin top lip, these bins have a Safe Working Load of 3000kg. Oversized fork pockets to suit larger Forklifts have been incorporated into the design.

The self dumping mechanism underneath the bin allows the Operator to remain seated inside the Forklift during the tipping cycle.

The standard finish of the type JSD Heavy Duty Self Dumping Bin is enamel painted over primed steel.



SPECIFICATIONS:

- Pocket size 180 x 80mm
- Pocket Centres – 950mm
- Safe Working Load 3000kg
- Unit Weight – refer Table
- Volume Capacity – refer Table
- HCG 900mm
- VCG 500mm
- Crane Lugs Optional
- Lid Optional

(Type JSD24 standard model shown)

