

Type CSD Tipping Bin

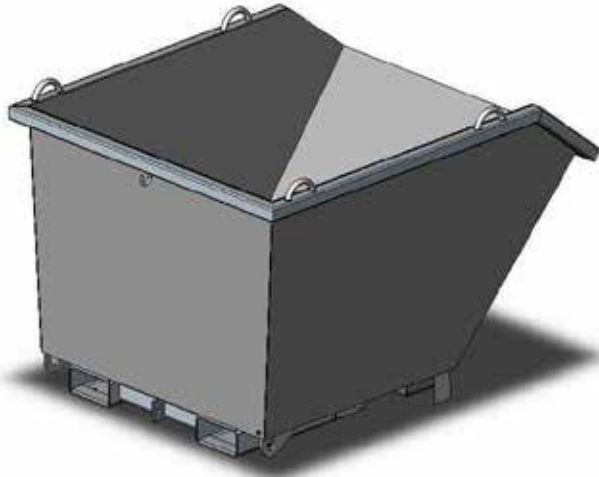
The economical type CSD Tipping Bin is a self dumping bin suitable for most waste handling applications. Being a nesting bin, it uses minimum of space for storage and transport.

This bin is supplied standard with 4 crane lugs and upending lugs. It is also fitted with drain plug and wheel brackets (wheels not supplied unless ordered).

The type CSD Tipping Bins have a Zinc plated finish.

SPECIFICATIONS:

- Safe Working Load 1500kg
- Unit Weight – refer Table
- Volume Capacity – refer Table
- Pocket size 185 x 75mm
- CSD9 Pocket Centres – 340mm
- CSD12 & 18 Pocket Centres – 630mm
- HCG 550mm
- VCG 340mm
- Wheels Optional
- Drain Valve & Strainer Optional



(Type CSD12 standard model shown)

BIN TYPE	CAPACITY	'1/2 WIDTH'	'WIDTH'	UNIT WEIGHT
CSD 9	0.95 cu m	900mm	1010mm	*180 kg
CSD 12	1.25 cu m	1200mm	1310mm	*205 kg
CSD 18	1.85 cu m	1800mm	1910mm	*245 kg

* NOTE: UNITS WITH OPTIONAL WHEELS - ADD 18 kg

