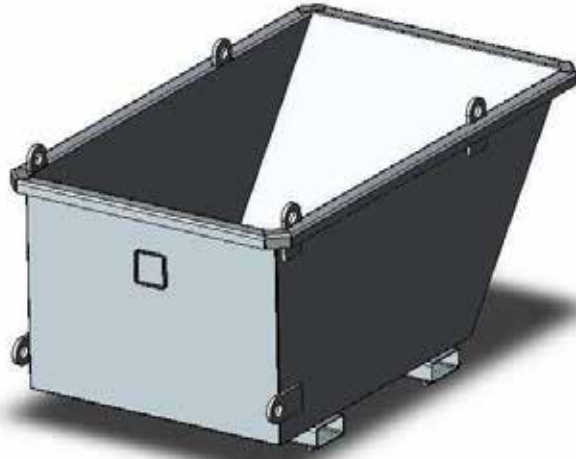


Type CB20 Crane Bin

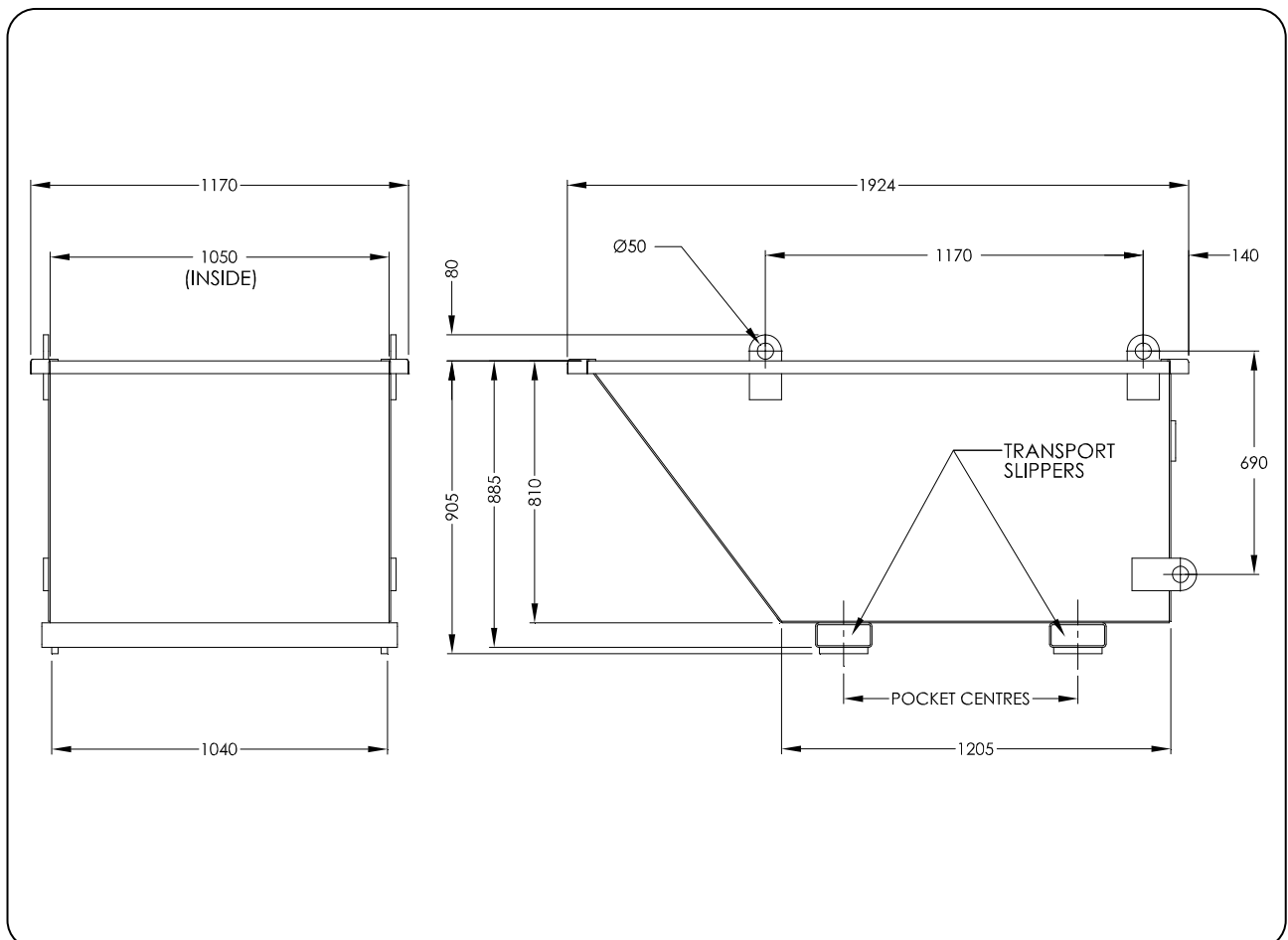


The type CB20 Crane Bin is manufactured from 5mm plate to allow transport of heavy waste such as sand, gravel, excavation waste and scrap metal.

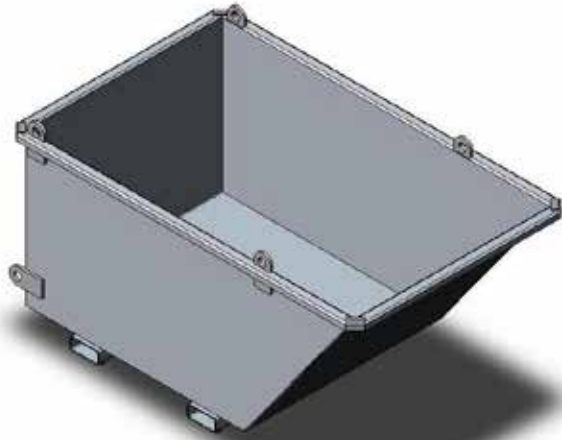
The Bin comes standard with 6 crane lugs and transport Slippers. Wheels may be fitted as an option.

SPECIFICATIONS:

- Safe Working Load (SWL) 2000kg
- Unit Weight 310kg
- Volume Capacity (level) 1.25 cu m
- Pocket size 165 x 65mm
- Pocket Centres 725mm
- Wheels Optional



Type CB30 Crane Bin

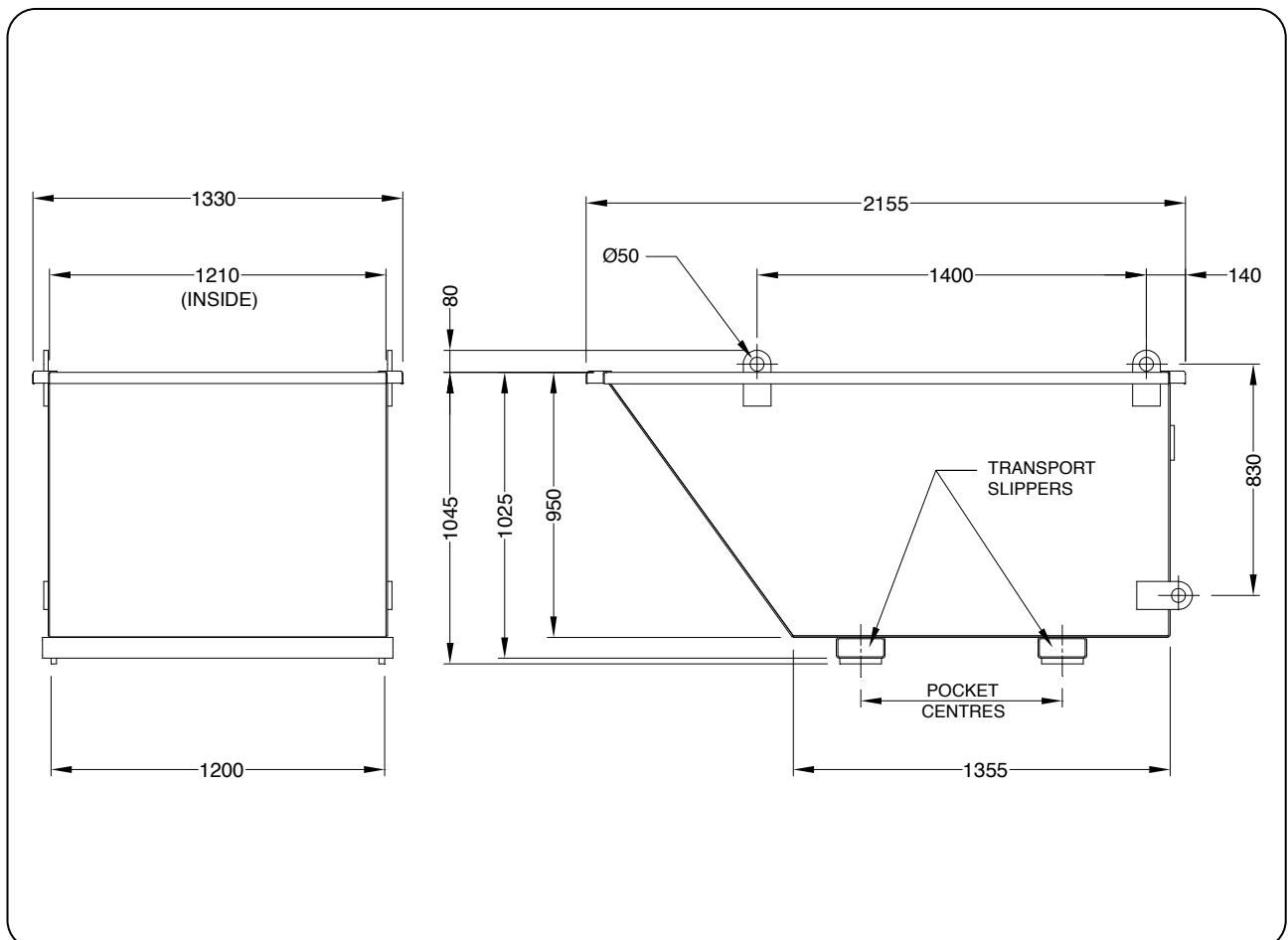


The type CB30 Crane Bin is manufactured from 5mm plate to allow transport of heavy waste such as sand, gravel, excavation waste and scrap metal.

The Bin comes standard with 6 crane lugs and transport Slippers.

SPECIFICATIONS:

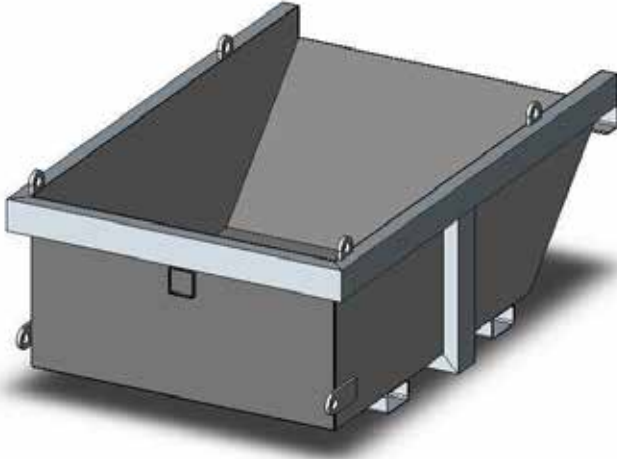
- Safe Working Load (SWL) 3000kg
- Unit Weight 390kg
- Volume Capacity (level) 1.90 cu m
- Pocket size 165 x 65mm
- Pocket Centres 725mm



Type CB50 Crane Bin

The type CB50 Crane Bin is manufactured from 6mm plate to allow transport of heavy waste such as sand, gravel, excavation waste and scrap metal.

The Bin comes standard with 6 crane lugs and transport Slippers.



SPECIFICATIONS:

- Safe Working Load (SWL) 5000kg
- Unit Weight 720kg
- Volume Capacity (level) 2.0 cu m
- Pocket size 185 x 85mm
- Pocket Centres 950mm

