

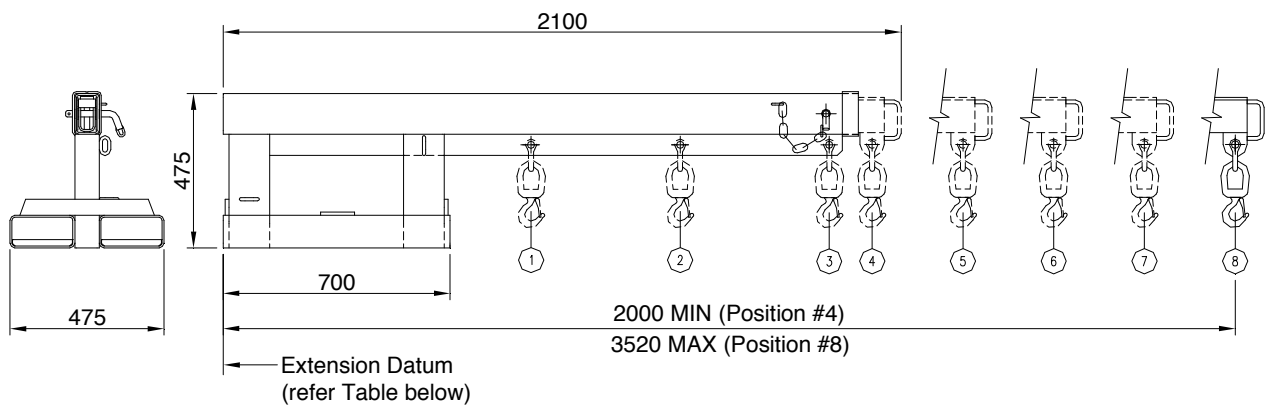
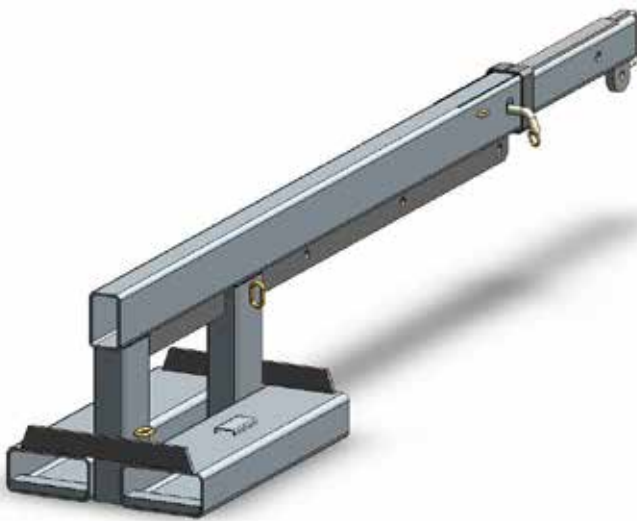
Type FJCL25 Fixed Jib (Long)

The type FJCL25 Fixed Jib (Long) is designed as an affordable general purpose Jib with a 3.5 metre reach when fully extended. This slip-on Forklift attachment is held to the Forklift by a safety chain. The Jibs overall length when closed is 2.1 metres.

The standard finish on the type FJCL25 Fixed Jib (Long) is Zinc Plated.

SPECIFICATIONS:

- Safe Working Load (SWL) 2500kg Max.
- Unit Weight 135kg
- Load Centre 950mm
- Pocket Size 185 x 65
- Pocket Centres 275 mm
- Horizontal C of G 1160mm
- Vertical C of G 185mm



SAFE WORKING LOADS (SWL) PER POSITION								
POSITION	1	2	3	4	5	6	7	8
EXTENSION (mm)	950	1410	1870	2000	2380	2760	3140	3520
SWL (kg)	2500	2500	1900	1650	1250	650	380	240

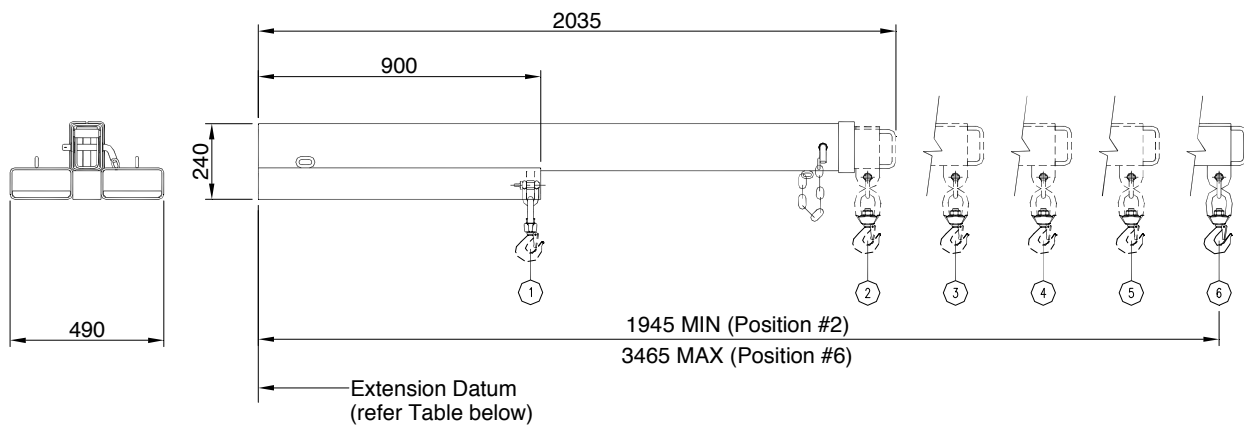
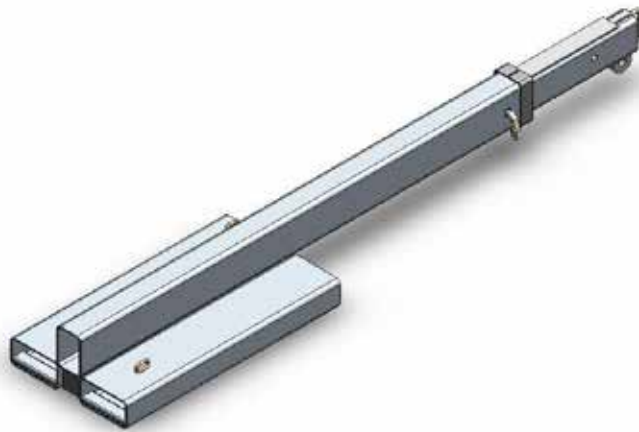
Type FJCL45 Fixed Jib (Long)

The type FJCL45 Fixed Jib (Long) is designed as an affordable general purpose Jib with a 3.465 metre reach when fully extended. This slip-on Forklift attachment is held to the Forklift by a safety chain. The Jibs overall length when closed is 2.035 metres.

The standard finish on the type FJCL45 Fixed Jib (Long) is Zinc Plated.

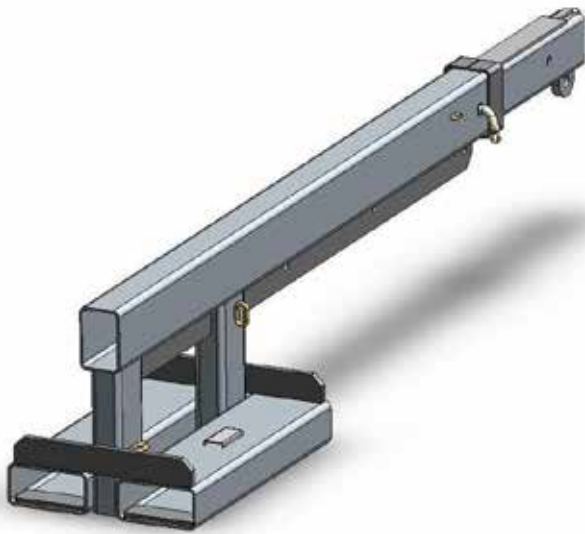
SPECIFICATIONS:

- Safe Working Load (SWL) 4500kg Max.
- Unit Weight 140kg
- Load Centre 870mm
- Pocket Size 185 x 65
- Pocket Centres 290 mm
- Horizontal C of G 1295mm
- Vertical C of G 125mm



SAFE WORKING LOADS (SWL) PER POSITION						
POSITION	1	2	3	4	5	6
EXTENSION (mm)	870	1945	2325	2705	3085	3465
SWL (kg)	4500	1300	750	560	380	200

Type FJL5 Fixed Jib (Long)

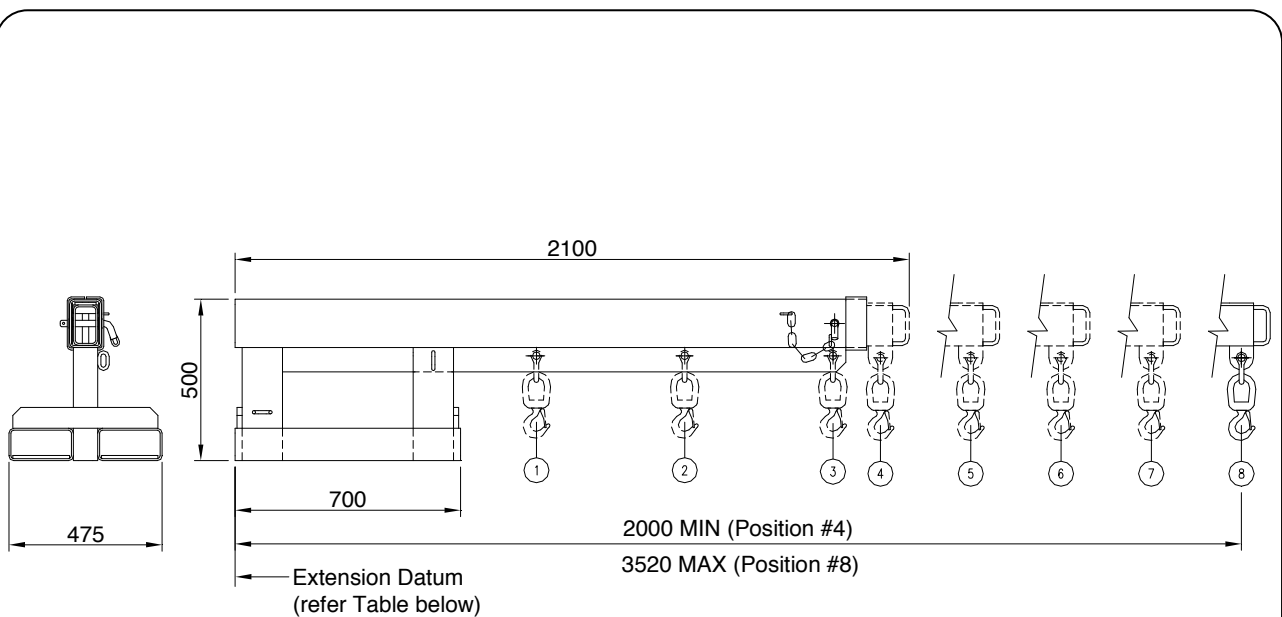


The type FJL5 Fixed Jib (Long) is designed as an affordable general purpose Jib with a 3.5 metre reach when fully extended. This slip-on Forklift attachment is held to the Forklift by a safety chain. The Jibs overall length when closed is 2.1 metres.

The standard finish on the type FJL5 Fixed Jib (Long) is Zinc Plated.

SPECIFICATIONS:

- Safe Working Load (SWL) 4750kg Max.
- Unit Weight 170kg
- Load Centre 935mm
- Pocket Size 185 x 75
- Pocket Centres 275 mm
- Horizontal C of G 1210mm
- Vertical C of G 200mm



SAFE WORKING LOADS (SWL) PER POSITION								
POSITION	1	2	3	4	5	6	7	8
EXTENSION (mm)	935	1395	1855	2000	2380	2760	3140	3520
SWL (kg)	4750	4275	3800	3300	2500	1300	760	480